

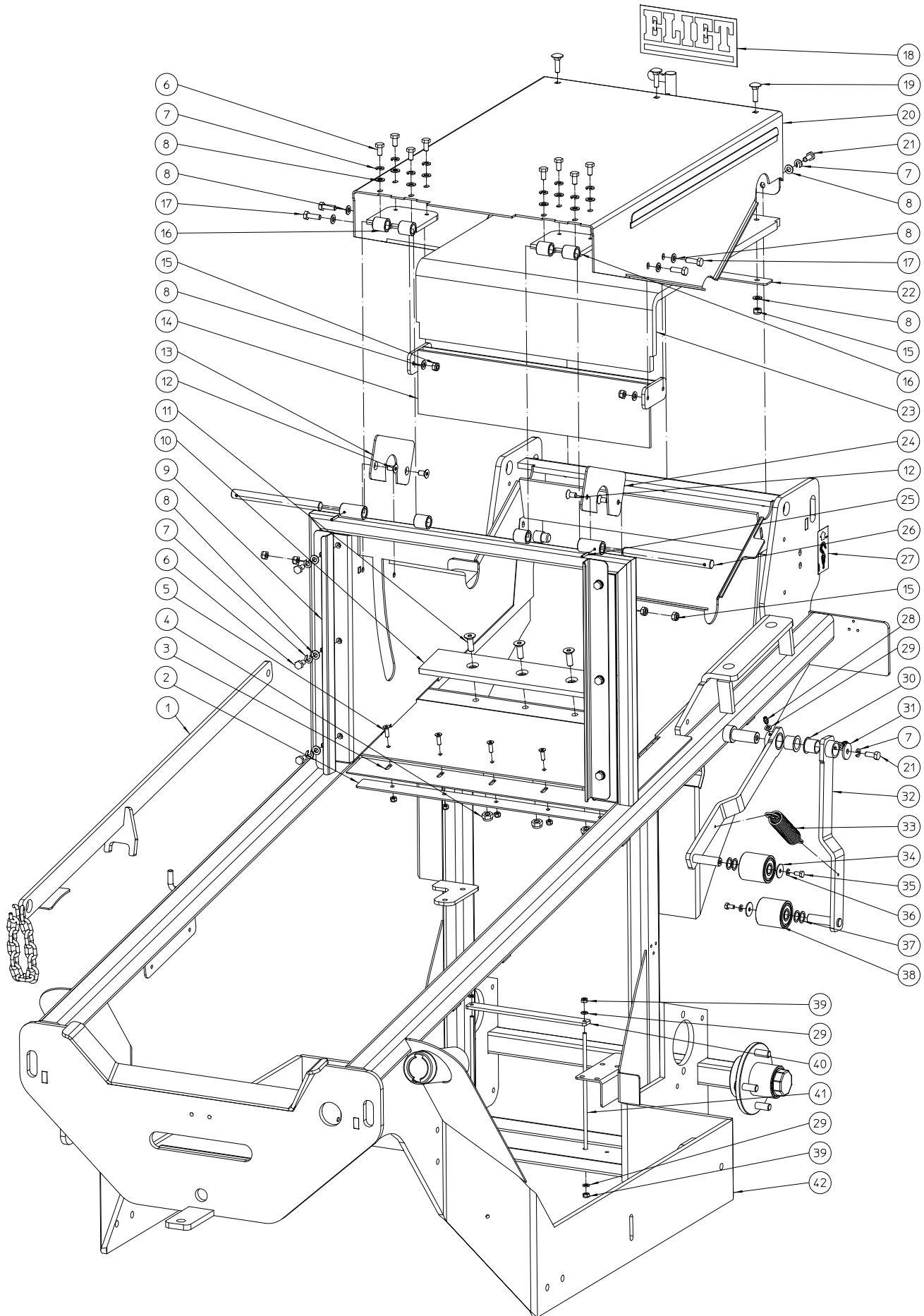
ELIET SPARE PARTS MANUAL

MEGA PROF

GENERAL OVERVIEW ASSEMBLYLISTS

MMA 01 260 100-1

	LIST NUMBER	DESCRIPTION	DRAWING NR.	BUILT AFTER
1	ASSEMBLYLIST 1	REAR CHASSIS	MMA 01 260 110-2	01/09/2003
2	ASSEMBLYLIST 2	STEERING UNIT - TANK	MMA 01 260 120-1	01/09/2003
3	ASSEMBLYLIST 3	FEEDINGCONVEYOR	MMA 01 260 130-1	01/09/2003
4	ASSEMBLYLIST 4	INFEEDROLLER	MMA 01 260 140-1	01/09/2003
5	ASSEMBLYLIST 5	ROTOR	MMA 01 260 150-1	01/09/2003
6	ASSEMBLYLIST 6	WHEEL DRIVE	MMA 01 260 160-1	01/09/2003
7	ASSEMBLYLIST 7	ENGINE	MMA 01 260 170-3	01/09/2003
8	ASSEMBLYLIST 8	HYDRAULICS	MMA 01 260 180-1	01/09/2003
9	ASSEMBLYLIST 9	ELECTRICS	MMA 01 260 190-1	01/09/2003
10	ASSEMBLYLIST 10	SIDE COVERS	MMA 01 260 200-1	01/09/2003
11	ASSEMBLYLIST 11	COLLECTOR	MMA 01 260 210-1	01/09/2003
12	ASSEMBLYLIST 12	OUTPUT CHUTE 1500MM	MMA 01 260 220-1	01/09/2003
13	ASSEMBLYLIST 13	OUTPUT CHUTE 2000MM	MMA 01 260 230-1	01/09/2003



ELIET MEGA-PROF -- REAR CHASSIS					
NO	MMA-01.260.110	REV	2	DATE	2006/07/11

ELIET SPARE PARTS MANUAL

MEGA PROF

ASSEMBLYLIST 1

REAR CHASSIS

MMA 01 260 110-2

ITEM	PART NUMBER	DESCRIPTION	QUANTITY
1	MPA 01 260 470	LEVER TO UNBLOCK (ACCESSORY)	1
2	MPA 01 261 060	RETAINER FOR CONVEYOR SCRAPER	1
3	BR 910 000 190	NYLON SCRAPER	1
4	BS 502 001 000	SELF LOCKING NUT M10 DIN 985	4
5	BS 522 100 620	SCREW M6X20 DIN 7991	5
6	BS 512 000 816	BOLT M8X16 DIN 933	14
7	BS 533 000 800	LOCK WASHER M8 DIN 127B	18
8	BS 531 000 800	WASHER M8 DIN 125	28
9	MPA 01 260 540	FEEDHOPPER GUIDE	2
10	MPA 01 260 620	ANVIL	1
11	BS 522 101 030	SCREW M10X10 DIN 7991	4
12	BS 522 100 816	SCREW M8X16 DIN 7991	4
13	MPA 01 260 550	FEEDROLLER BUMP PLATE (LEFT)	1
14	MPA 01 260 250	BRACKET FOR RUBBER PLAT	1
15	BS 502 000 800	SELF LOCKING NUT M8 DIN 985	11
16	MPA 01 260 220	HINGE	2
17	BS 512 000 825	BOLT M8X25 DIN 933	4
18	BQ 501 010 030	STICKER ELIET 200X90	1
19	BS 554 100 830	BOLT M8X30 DIN 603	3
20	MPA 01 260 050	ROTOR COVER	1
21	BS 512 000 820	BOLT M8X20 DIN 933	4
22	MPA 01 260 590	RETAINER	1
23	BR 900 001 130	RUBBER SILENCER PLATE	1
24	MPA 01 260 560	FEEDROLLER BUMP PLATE (RIGHT)	1
25	BB 120 040 240	LOCKING PIN 4X20	2
26	MPA 01 260 960	HINGE ROD	2
27	BQ 501 060 090	STICKER HOOK ATTACHMENT	2
28	BY 100 106 100	GREASE FITTING M6	2
29	BS 531 000 600	WASHER M6 DIN 125	6
30	BR 112 202 100	NYLON BUSHING WITH COLAR (20/24/29x21/1)	2
31	BS 532 008 306	WASHER M8X30X3	1
32	MPA 01 261 140	IDLER ARM	2
33	BV 919 000 020	SPRING	1
34	BS 532 006 253	WASHER M6X25X1.5	2
35	BS 512 000 612	BOLT M6X12 DIN 933	2
36	BS 533 000 600	LOCK WASHER M6 DIN 127B	2
37	BS 036 001 510	PRECISION WASHER 21X15X1	4
38	BA 599 006 100	IDLER ROLLER	2

ELIET SPARE PARTS MANUAL

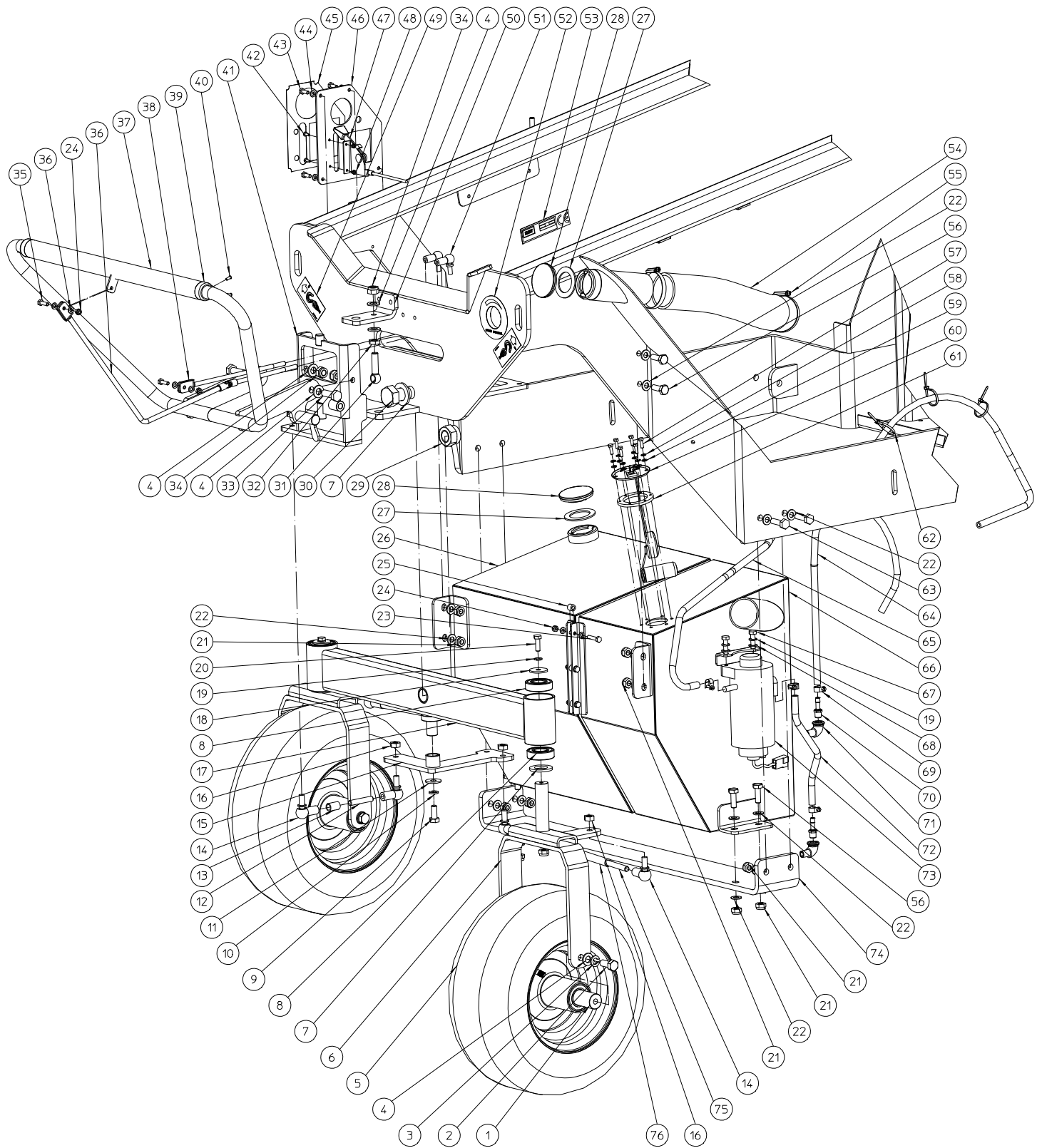
MEGA PROF

ASSEMBLYLIST 1

REAR CHASSIS

MMA 01 260 110-2

ITEM	PART NUMBER	DESCRIPTION	QUANTITY
39	BS 502 000 600	SELF LOCKING NUT M6 DIN 985	9
40	MPA 01 260 710	RETAINER FOR BATTERY	1
41	BS 581 000 623	STUD DING M6X230 DIN 975	2
42	MPA 01 260 010	CHASSIS	1



ELIET MEGA-PROF -- STEERING UNIT - TANK					
NO	MMA-01.260.120	REV	1	DATE	2006/07/10

ELIET SPARE PARTS MANUAL

MEGA PROF

ASSEMBLYLIST 2

STEERING UNIT - TANK

MMA 01 260 120-1

ITEM	PART NUMBER	DESCRIPTION	QUANTITY
1	MPA 01 260 950	FRONT WHEEL AXLE	2
2	BS 512 001 230	BOLT M12X30 DIN 933	4
3	BS 533 001 200	LOCK WASHER M12 DIN 127B	4
4	BS 531 001 200	WASHER M12 DIN 125	10
5	BW 040 030 000	WHEEL 5.5X8	2
6	MPA 01 260 070	FRONT WHEEL FORK	2
7	BS 531 002 400	WASHER M24 DIN 125	3
8	BL 002 505 203	BEARING 6005 ZZ	4
9	BS 512 001 025	BOLT M10X25 DIN933	1
10	BS 533 001 000	LOCK WASHER M10 DIN 127B	1
11	BS 532 010 305	WASHER M10X30X2	1
12	BS 581 001 006	STUD DING M10X55 DIN 975	1
13	MPA 01 261 090	SPACER	1
14	BA 230 011 000	BALL JOINT M10 DIN 71802	6
15	MPA 01 260 210	STEERING PLATE	1
16	BS 501 001 000	NUT M10 DIN 934	6
17	MPA 01 260 130	FRONT AXLE	1
18	BS 532 008 356	WASHER M8X35X3	2
19	BS 533 000 800	LOCK WASHER M8 DIN 127B	4
20	BS 512 000 825	BOLT M8X25 DIN 933	2
21	BS 502 001 000	SELF LOCKING NUT M10 DIN 985	12
22	BS 531 001 000	WASHER M10 DIN 125	24
23	BS 512 000 630	BOLT M6X30 DIN 933	7
24	BS 502 000 600	SELF LOCKING NUT M6 DIN 985	9
25	MPA 01 261 070	SPACER	7
26	MPA 01 260 120	HYDRAULIC OIL TANK	1
27	BH 720 301 040	RUBBER SEAL HYDRAULIC OIL TANK D40	2
28	BH 720 101 040	CAP FOR HYDRAULIC OIL TANK B40	2
29	BS 502 002 400	SELF LOCKING NUT M24 DIN 985	1
30	BS 512 002 449	BOLT M24X90 DIN 931	1
31	BS 551 101 242	EYE BOLT M12X50 DIN 444	1
32	BS 501 901 200	NUT M12 DIN 439	1
33	BS 512 001 235	BOLT M12X35 DIN 933	2
34	BS 502 001 200	SELF LOCKING NUT M10 DIN 985	3
35	BS 512 000 620	BOLT M6X20 DIN 933	2
36	MPA 01 260 460	CONTROL ROD WHEEL DRIVE	1
37	MPA 01 260 170	STEERING BRACKET	1
38	MPA 01 260 440	CONTROL ROD INFEED	1

ELIET SPARE PARTS MANUAL

MEGA PROF

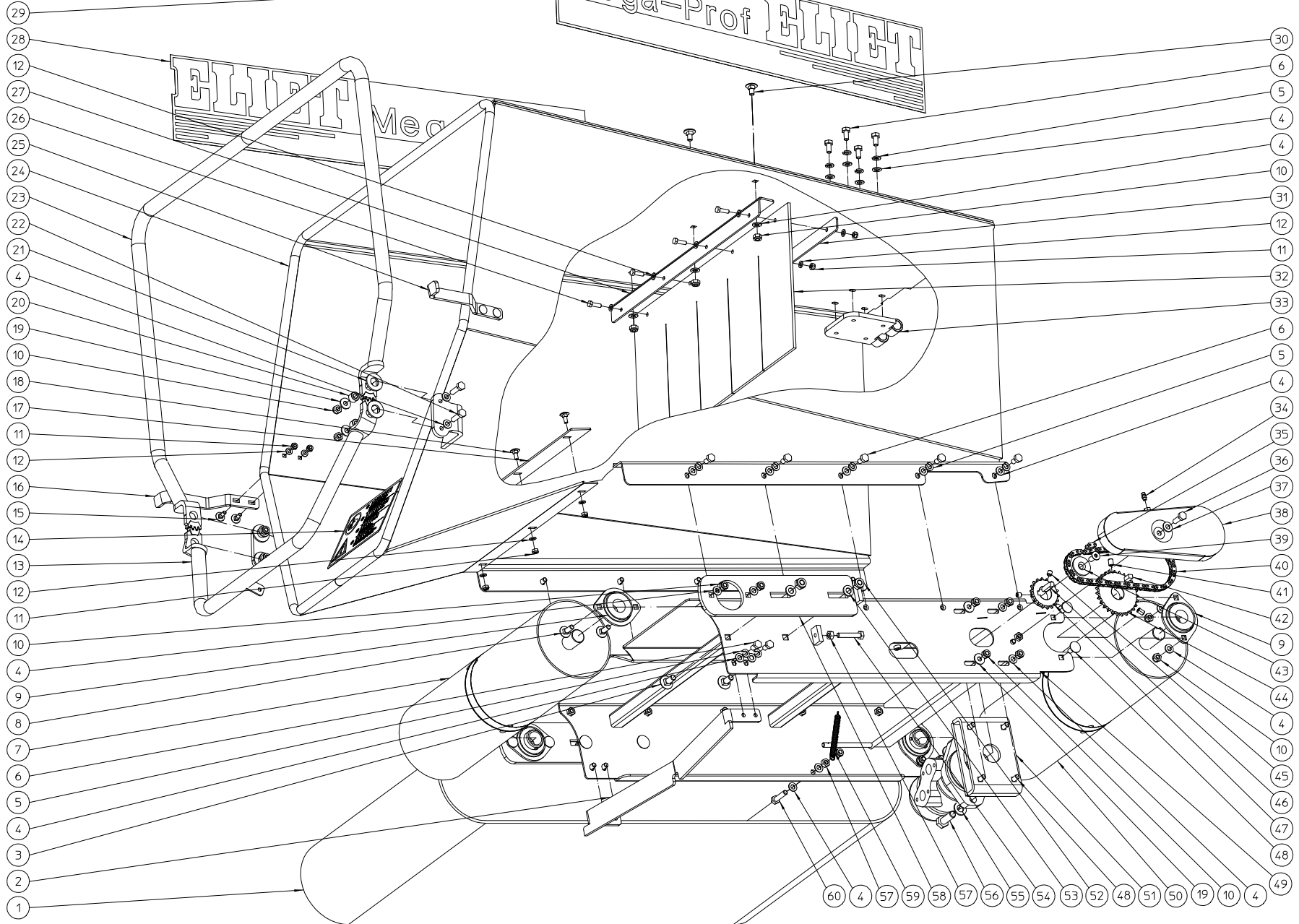
ASSEMBLYLIST 2

STEERING UNIT - TANK

MMA 01 260 120-1

ITEM	PART NUMBER	DESCRIPTION	QUANTITY
39	BR 910 000 010	NYLON BUSHING WITH COLAR (25/30/34x30/15)	2
40	BB 221 104 100	POP PLUG ALU 3.9X10	4
41	MPA 01 260 200	STEERING SUPPORT	1
42	BS 541 000 410	SCREW M4X10 DIN 84	2
43	BS 512 000 616	BOLT M6X16 DIN 933	4
44	BS 531 000 600	WASHER M6 DIN 125	22
45	BQ 501 190 050	DASHBOARD STICKER	1
46	MPA 01 260 700	DASHBOARD	1
47	BK 161 161 570	THROTTLE CONTROL	1
48	BS 502 000 400	SELF LOCKING NUT M4 DIN 985	2
49	BQ 501 060 090	STICKER HOOK ATTACHMENT	2
50	MPA 01 260 530	FIXING BRACKET FOR STEERING	1
51	BA 230 010 800	BALL JOINT M8	2
52	BQ 501 190 060	SPEEDCONTROLLER INFEED	1
53	BQ 505 010 010	IDENTITY STICKER CE 120X30	1
54	BR 201 060 029	GASOLINE LINE	1
55	BT 670 168 850	HOSE CLAMP	2
56	BS 512 001 030	BOLT M10X30 DIN 933	8
57	BS 512 000 516	BOLT M5X16 DIN 933	6
58	BS 533 000 500	LOCK WASHER M5 DIN 127B	6
59	BS 531 000 500	WASHER M5 DIN 125	6
60	BY 716 210 002	FUEL LEVEL SENDER	1
61	BH 803 048 380	GASKET FOR FUEL LEVEL SENDER	1
62	BE 043 010 140	WRAP TIE 140X3.5	3
63	BS 512 001 035	BOLT M10X35 DIN 933	4
64	BR 202 007 110	DIESEL LINE 1100MM	1
65	BR 202 007 135	DIESEL LINE 1350MM	1
66	MPA 01 260 110	DIESEL TANK	1
67	BS 512 000 830	BOLT M8X30 DIN 933	2
68	BS 531 000 800	WASHER M8 DIN 125	2
69	BT 670 109 110	HOSE CLAMP	4
70	BT 136 260 409	HOSE INSERT 1/4"X9MM	2
71	BT 174 130 404	HYDRAULIC ELBOW 90° M/F 1/4"X1/4"	2
72	BR 202 007 075	DIESEL LINE 750MM	1
73	BM 270 835 028	DIESEL FILTER	1
74	MPA 01 260 880	TANK SUPPORT	1
75	BS 581 001 028	STUD DING M10X275 DIN 975	2
76	MPA 01 261 080	SPACER	2

Mega-Prof ELIET



ELIET MEGA-PROF --- FEEDINGCONVEYOR				
NO	MMA-01.260.130	REV	1	DATE 2006/07/10

ELIET SPARE PARTS MANUAL

MEGA PROF

ASSEMBLYLIST 3

FEEDINGCONVEYOR

MMA 01 260 130-1

ITEM	PART NUMBER	DESCRIPTION	QUANTITY
1	BY 431 250 205	CONVEYOR	1
2	MPA 01 260 520	SCRAPER (INSIDE)	1
3	BS 554 101 025	BOLT M10X25 DIN603	4
4	BS 531 000 800	WASHER M8 DIN 125	41
5	BS 533 000 800	LOCK WASHER M8 DIN 127B	22
6	BS 512 000 816	BOLT M8X16 DIN 933	22
7	MPA 01 260 150	IDLER ROLLER	1
8	BS 554 100 825	BOLT M8X25 DIN 603	4
9	BL 801 102 500	BEARING + FLANGES ASPFL 205	4
10	BS 502 000 800	SELF LOCKING NUT M8 DIN 985	20
11	BS 502 000 600	SELF LOCKING NUT M6 DIN 985	11
12	BS 531 000 600	WASHER M6 DIN 125	15
13	MPA 01 260 180	CONTROL HANDLE (LOWER)	1
14	BQ 505 010 110	SAFETY STICKER 190X125 (INFEED)	1
15	BS 554 100 620	BOLT M6X20 DIN 603	4
16	MPA 01 261 030	CONTROL HANDLE STOP (LEFT)	1
17	MPA 01 260 840	SCRAPER (OUTSIDE)	1
18	BS 554 100 616	BOLT M6X16 DIN 603	3
19	BS 532 008 204	WASHER M8X20X2	6
20	MPA 01 260 970	BUSHING FOR CONTROLHANDLE	4
21	BR 111 160 300	NYLON BUSHING (16/32X3)	4
22	BS 512 000 830	BOLT M8X30 DIN 933	4
23	MPA 01 260 190	CONTROL HANDLE (UPPER)	1
24	MPA 01 260 040	HOPPER	1
25	MPA 01 261 040	CONTROL HANDLE STOP (RIGHT)	1
26	BS 512 000 620	BOLT M6X20 DIN 933	4
27	MPA 01 260 600	BRACKET FOR RUBBER PROTECTION	1
28	BQ 501 190 010	STICKER ELIET MEGA PROF (L)	1
29	BQ 501 190 020	STICKER ELIET MEGA PROF (R)	1
30	BS 554 100 816	BOLT M8X16 DIN 603	3
31	MPA 01 260 610	RETAINER	1
32	BR 900 001 070	RUBBER PROTECTION	1
33	MPA 01 260 220	HINGE	2
34	BY 100 106 100	GREASE FITTING M6	1
35	BA 151 200 000	CONNECTING CHAINLINK 3/8"X7/32"	1
36	BS 512 000 825	BOLT M8X25 DIN 933	1
37	BS 532 008 183	WASHER M8X18X1.5	1
38	MPA 01 260 260	CHAINGUARD	1

ELIET SPARE PARTS MANUAL

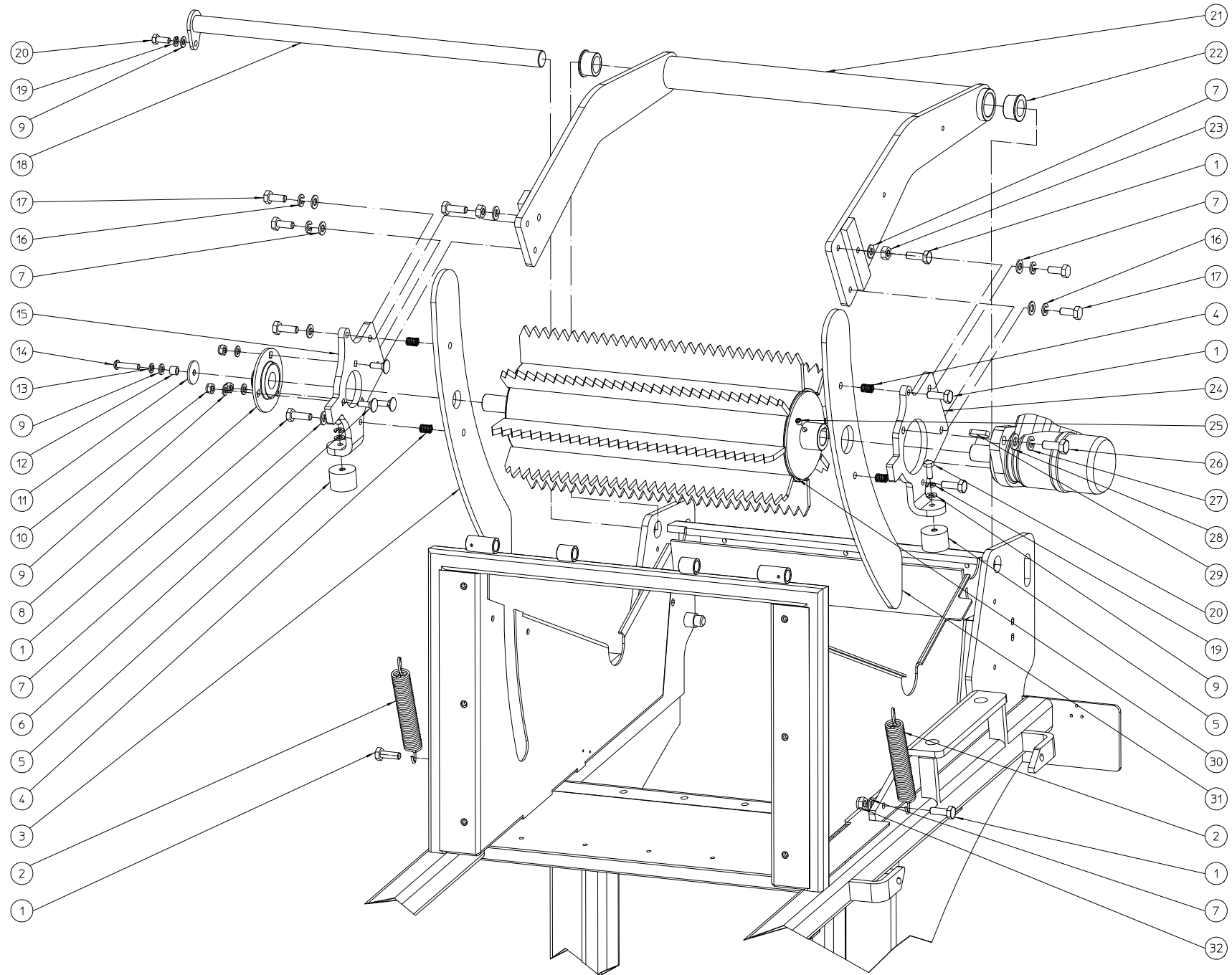
MEGA PROF

ASSEMBLYLIST 3

FEEDINGCONVEYOR

MMA 01 260 130-1

ITEM	PART NUMBER	DESCRIPTION	QUANTITY
39	BS 522 100 820	SCREW M8X20 DIN 7991	1
40	BA 101 053 020	CHAIN 53L SIMPLEX	1
41	BS 023 000 812	SET SCREW M8X12 DIN 916	2
42	BB 341 080 716	KEY 8X7X16	1
43	MPA 01 261 110	WASHER	1
44	BA 161 027 000	SPROCKET 27T SIMPLEX	1
45	BS 023 000 808	SET SCREW M8X8 DIN 916	2
46	BB 351 080 732	KEY 8X7X32 DIN 6885A	1
47	BA 161 018 001	SPROCKET 18T SIMPLEX	1
48	BS 554 100 820	BOLT M8X20 DIN 603	8
49	MPA 01 260 060	CONVEYER	1
50	MPA 01 260 160	DRIVEN ROLLER	1
51	MPA 01 260 100	HYDRO-ENGINE BRACKET	1
52	BS 502 001 000	SELF LOCKING NUT M10 DIN 985	4
53	BS 531 001 000	WASHER M10 DIN 125	4
54	BS 512 000 841	BOLT M8X45 DIN 933	2
55	BS 531 001 200	WASHER M12 DIN 125	2
56	BS 512 001 235	BOLT M12X35 DIN 933	2
57	BS 501 000 800	NUT M8 DIN 934	3
58	MPA 01 260 280	IDLER GUIDE	2
59	BV 011 010 000	SPRING 1X10X105	1
60	BS 512 000 835	BOLT M8X35 DIN 933	1



ELIET MEGA-PROF -- INFEDROLLER				
NO	MMA-01.260.140	REV	1	DATE 2006/07/10

ELIET SPARE PARTS MANUAL

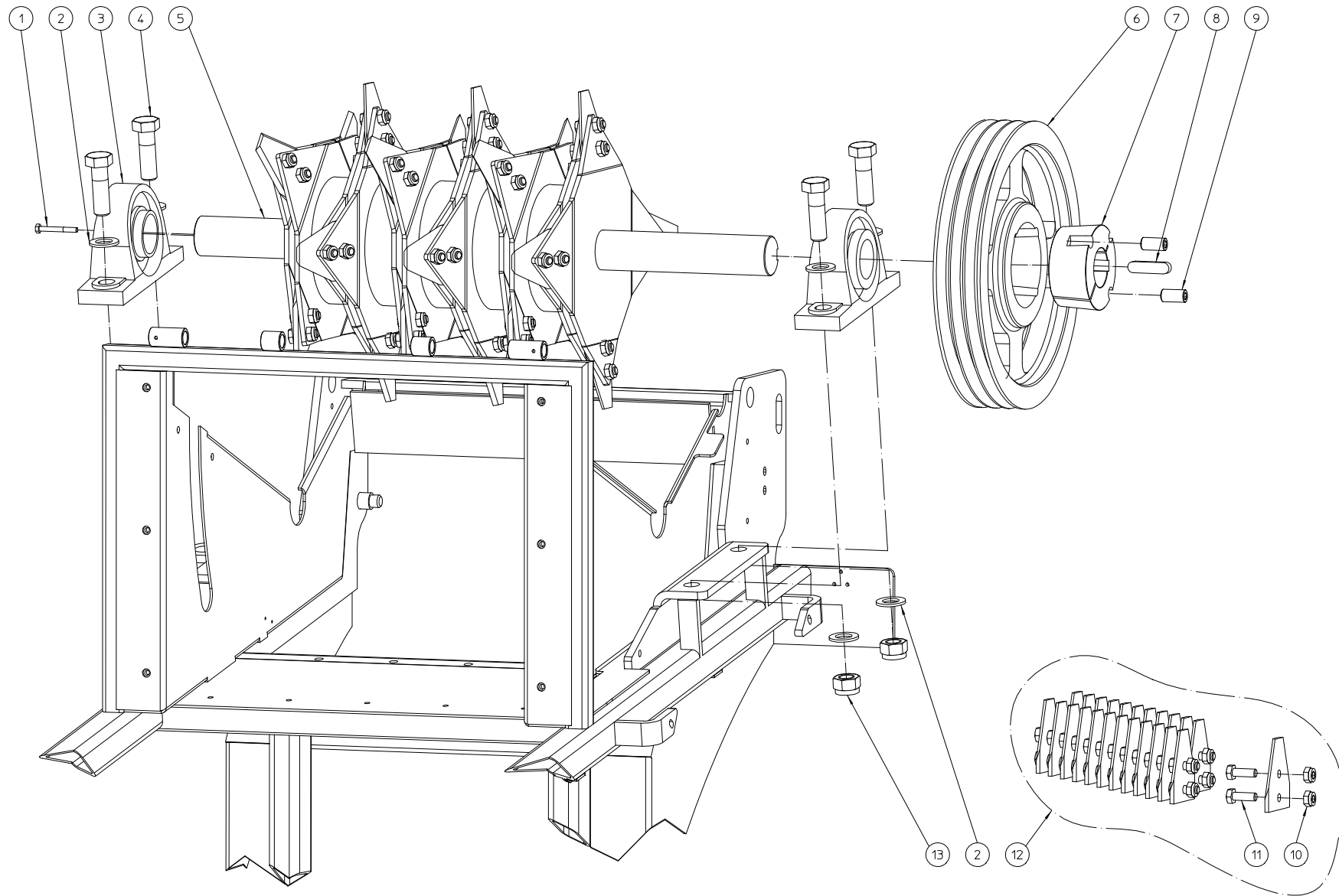
MEGA PROF

ASSEMBLYLIST 4

INFEEEDROLLER

MMA 01 260 140-1

ITEM	PART NUMBER	DESCRIPTION	QUANTITY
1	BS 512 001 030	BOLT M10X30 DIN 933	8
2	BV 919 000 010	SPRING	2
3	BR 910 000 180	NYLON COVER PLATE (BEARING SIDE)	1
4	BV 907 000 010	SPRING 12X1.5X16	4
5	BR 600 240 280	RUBBER BUMPER	2
6	BS 554 100 825	BOLT M8X25 DIN 603	3
7	BS 531 001 000	WASHER M10 DIN 125	10
8	BL 801 502 500	BEARING + FLANGES ASPF 205	1
9	BS 531 000 800	WASHER M8 DIN 125	7
10	BS 502 000 800	SELF LOCKING NUT M8 DIN 985	3
11	BS 532 008 356	WASHER M8X35X3	1
12	MPA 01 090 540	BUSH LOOSE KNIFE	1
13	BS 534 000 800	LOCK WASHER M8 DIN 6798A	1
14	BS 522 500 835	SCREW M8X35 ISO 7380	1
15	MPA 01 260 630	BRACKET FOR BEARING FEED ROLLER	1
16	BS 533 001 000	LOCK WASHER M10 DIN 127B	4
17	BS 512 001 025	BOLT M10X25 DIN933	4
18	MPA 01 260 310	HINGE SHAFT FEED ROLLER	1
19	BS 533 000 800	LOCK WASHER M8 DIN 127B	3
20	BS 512 000 820	BOLT M8X20 DIN 933	3
21	MPA 01 260 030	ARM FEED ROLLER	1
22	BR 112 262 110	NYLON BUSHING WITH COLAR (26/35.5/40x21/2)	2
23	BS 501 001 000	NUT M10 DIN 934	2
24	MPA 01 260 640	BRACKET FOR ENGINE FEED ROLLER	1
25	BS 023 000 808	SET SCREW M8X8 DIN 916	1
26	BS 512 001 230	BOLT M12X30 DIN 933	2
27	BS 533 001 200	LOCK WASHER M12 DIN 127B	2
28	BS 531 001 200	WASHER M12 DIN 125	2
29	BB 351 080 732	KEY 8X7X32 DIN 6885A	1
30	MPA 01 260 140	FEED ROLLER	1
31	BR 910 000 170	NYLON COVER PLATE (ENGINE SIDE)	1
32	BS 502 001 000	SELF LOCKING NUT M10 DIN 985	2



ELIET MEGA-PROF -- ROTOR				
NO	MMA-01.260.150	REV	1	DATE 2006/07/10

ELIET SPARE PARTS MANUAL

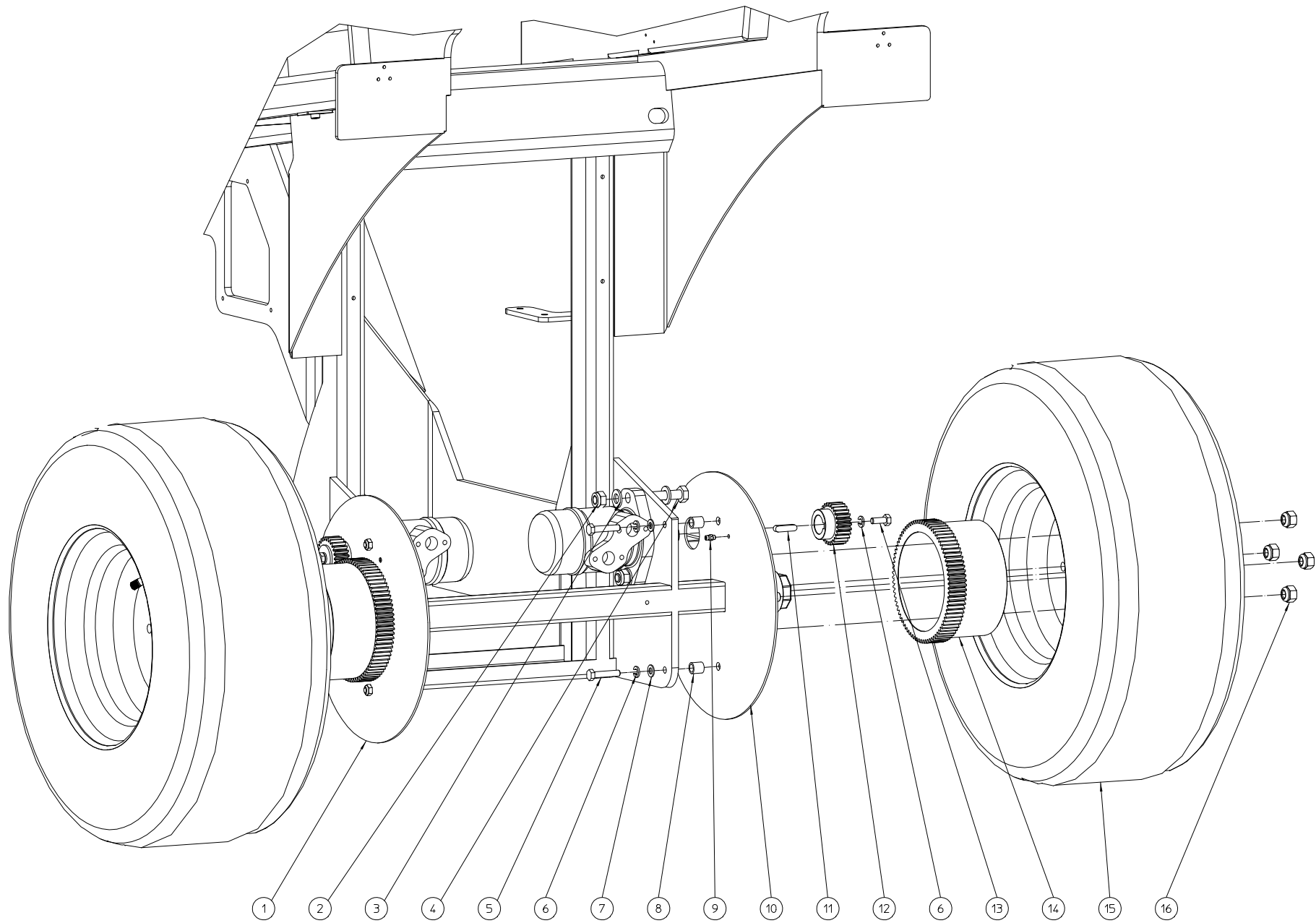
MEGA PROF

ASSEMBLYLIST 5

ROTOR

MMA 01 260 150-1

ITEM	PART NUMBER	DESCRIPTION	QUANTITY
1	BS 511 000 642	BOLT M6X50 DIN 931	1
2	BS 531 002 000	WASHER M20 DIN 125	8
3	BL 802 105 000	BEARINGASSEMBLY UKP211+H2311	2
4	BS 512 002 045	BOLT M20X65 DIN 931	4
5	MPA 01 260 230	ROTOR	1
6	BA 563 735 500	PULLEY SPB 355-3 TL 3020	1
7	BB 501 175 000	TAPERLOCK TL 3020-50	1
8	BB 351 140 955	KEY 14X9X55 DIN 6885A	1
9	BB 501 316 320	SETSCREW 5/8"X1"1/4	2
10	BS 502 001 001	SELF LOCKING NUT M10X1.25 DIN 985	0
11	BS 512 301 030	BOLT M10X30 DIN 961	0
12	BU 401 300 901	SET OF KNIVES RESIST (24)	1
13	BS 502 002 000	SELF LOCKING NUT M20 DIN 985	4



ELIET MEGA-PROF -- WHEEL DRIVE				
NO	MMA-01.260.160	REV	1	DATE 2006/07/10

ELIET SPARE PARTS MANUAL

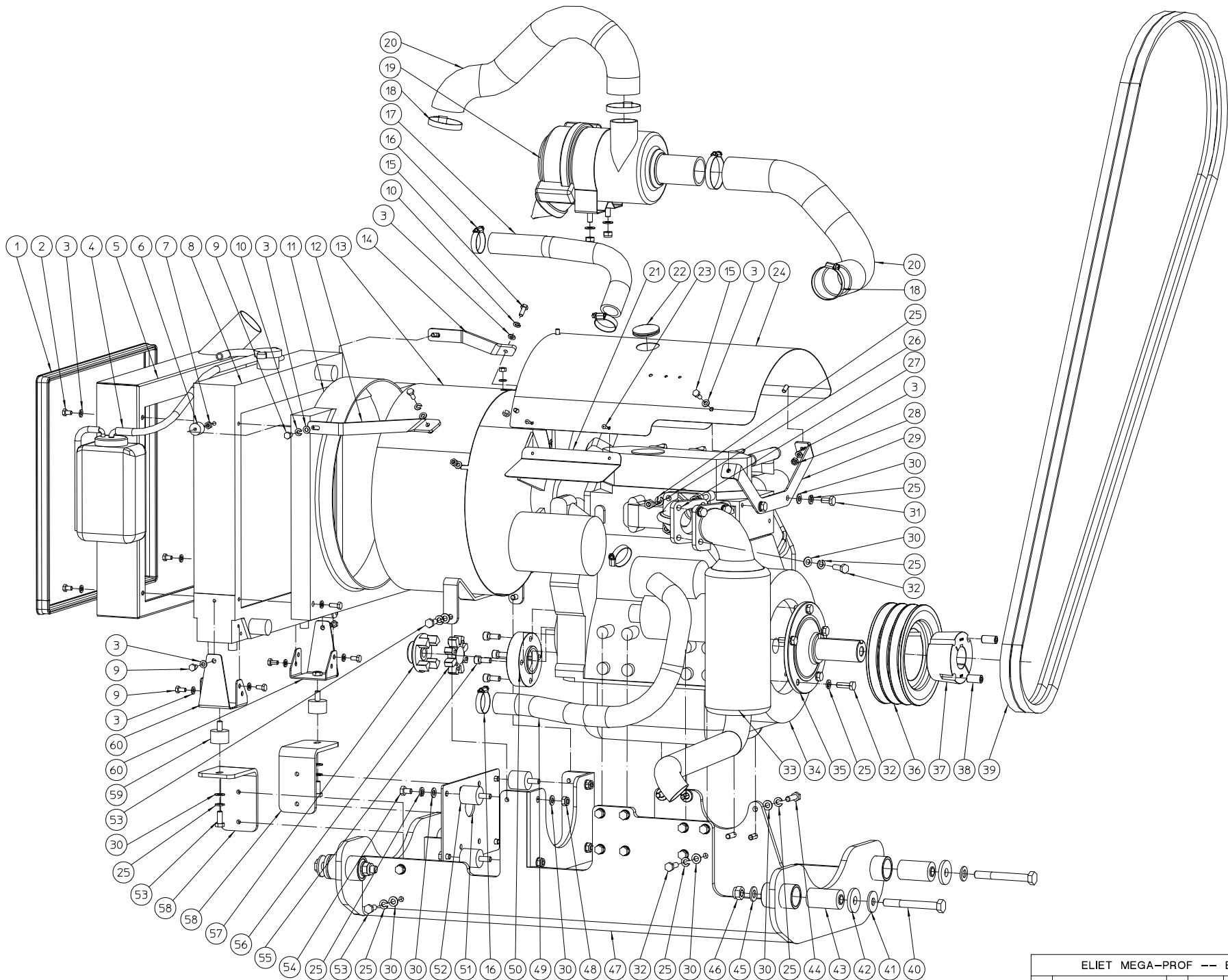
MEGA PROF

ASSEMBLYLIST 6

WHEEL DRIVE

MMA 01 260 160-1

ITEM	PART NUMBER	DESCRIPTION	QUANTITY
1	MPA 01 260 430	COVER RIGHT TRANSMISSION	1
2	BS 502 001 200	SELF LOCKING NUT M12 DIN 985	4
3	BS 531 001 200	WASHER M12 DIN 125	8
4	BS 512 001 241	BOLT M12X45 DIN 933	4
5	BS 512 000 840	BOLT M8X40 DIN 933	6
6	BS 533 000 800	LOCK WASHER M8 DIN 127B	8
7	BS 531 000 800	WASHER M8 DIN 125	6
8	BR 111 101 500	NYLON BUSHING (10.3/15x15)	6
9	BY 100 106 100	GREASE FITTING M6	2
10	MPA 01 260 420	COVER LEFT TRANSMISSION	1
11	BB 351 080 732	KEY 8X7X32 DIN 6885A	2
12	MPA 01 261 050	DRIVE GEAR	2
13	BS 512 000 820	BOLT M8X20 DIN 933	2
14	BA 602 008 001	RING GEAR	2
15	BW 057 560 000	WHEEL 23X8.50-12	2
16	BS 502 161 200	NUT FOR RIM M12	8



ELIET MEGA-PROF -- ENGINE					
NO	MMA-01.260.170	REV	3	DATE	2006/07/10

ELIET SPARE PARTS MANUAL

MEGA PROF

ASSEMBLYLIST 7

ENGINE

MMA 01 260 170-3

ITEM	PART NUMBER	DESCRIPTION	QUANTITY
1	BR 001 421 620	PVC EDGE TRIM 1620MM	1
2	BS 512 000 610	BOLT M6X10 DIN 933	4
3	BS 531 000 600	WASHER M6 DIN 125	29
4	BM 270 835 041	EXPANSION TANK	1
5	MPA 01 260 270	RADIATOR INTAKE CHAMBER	1
6	BR 600 220 150	ANTIVIBRATION BLOCKS 20X15B M6X15	2
7	BS 501 000 600	NUT M6 DIN 934	5
8	BM 270 835 119	RADIATOR	1
9	BS 512 000 612	BOLT M6X12 DIN 933	8
10	BS 533 000 600	LOCK WASHER M6 DIN 127B	4
11	BM 270 835 131	WIND TUNNEL	1
12	MPA 01 260 860	RADIATOR BRACKET UPPER RIGHT	1
13	MPA 01 260 240	WIND TUNNEL DEFLECTOR	1
14	MPA 01 260 850	RADIATOR BRACKET UPPER LEFT	1
15	BS 512 000 616	BOLT M6X16 DIN 933	10
16	BT 670 126 380	CLAMP 26-38X9MM	4
17	BR 200 225 036	FLEXIBLE HOSE 25-360MM	1
18	BT 670 144 560	CLAMP 44-56 9MM	4
19	BM 270 825 137	AIR FILTER	1
20	BR 200 245 476	FLEXIBLE HOSE 45-476MM	2
21	MPA 01 260 810	ALTERNATOR COVER	1
22	BR 500 103 800	RUBBER PLUG 42X38X1.6	1
23	BB 221 104 100	POP PLUG ALU 3.9X10	2
24	MPA 01 260 245	ENGINE PROTECTION PLATE	1
25	BS 533 000 800	LOCK WASHER M8 DIN 127B	42
26	BS 501 000 800	NUT M8 DIN 934	4
27	BM 270 835 025	MUFFLER ELBOW	1
28	BS 502 000 600	SELF LOCKING NUT M6 DIN 985	4
29	MPA 01 260 670	BRACKET FOR WIND TUNNEL	1
30	BS 531 000 800	WASHER M8 DIN 125	41
31	BS 512 000 816	BOLT M8X16 DIN 933	2
32	BS 512 000 825	BOLT M8X25 DIN 933	17
33	MPA 01 260 480	MUFFLER	1
34	BM 221 126 000	ENGINE 26.5 HP VANGUARD 3LC 950 D	1
35	BM 270 825 078	ENGINE SHAFT 1" 7/16	1
36	BA 563 716 000	PULLEY SPB 160-3 TL 2517	1
37	BB 501 262 300	TAPERLOCK TL 2517-1" 7/16	1
38	BB 501 313 250	SET SCREW 1/2"X1"	2

ELIET SPARE PARTS MANUAL

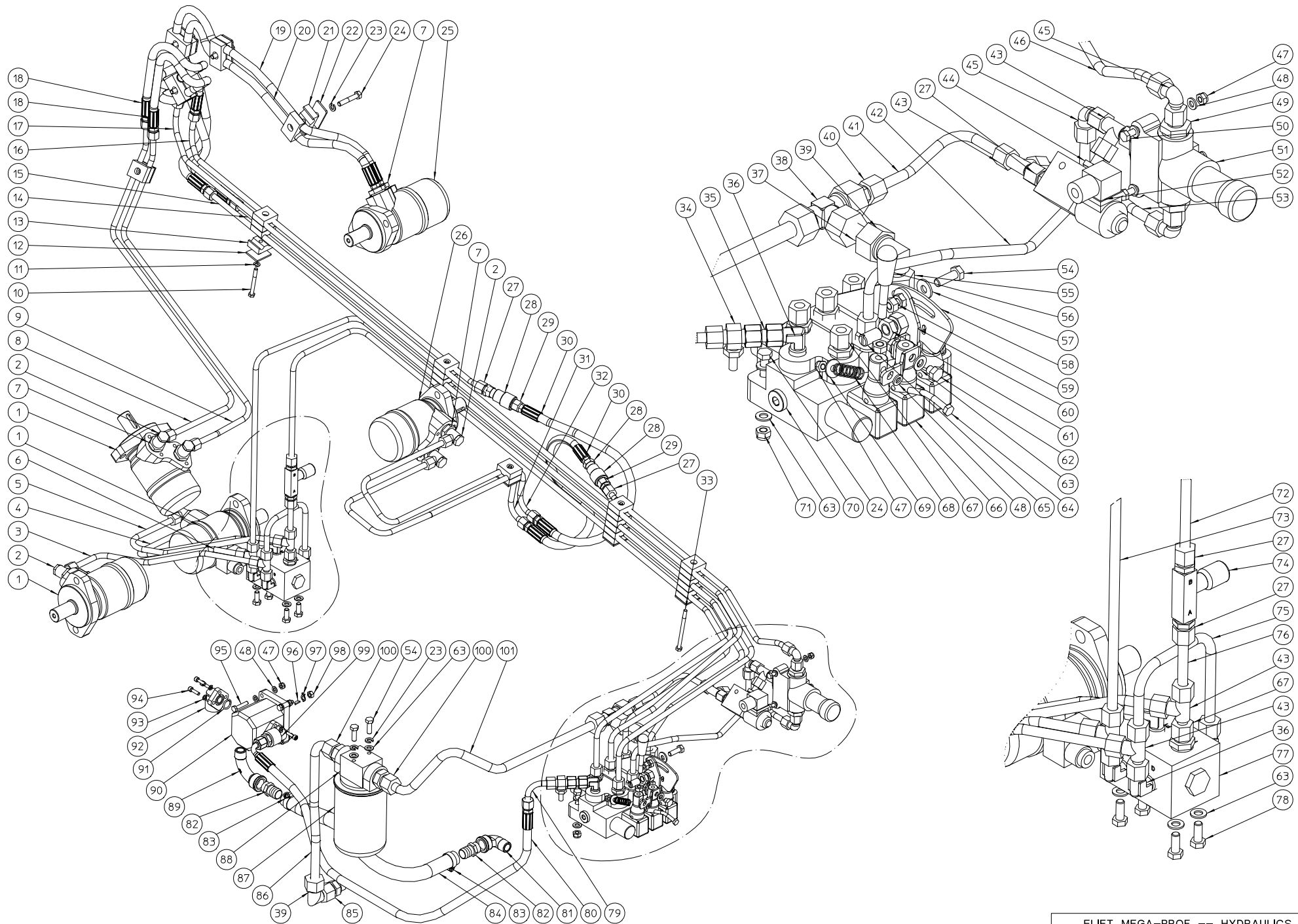
MEGA PROF

ASSEMBLYLIST 7

ENGINE

MMA 01 260 170-3

ITEM	PART NUMBER	DESCRIPTION	QUANTITY
39	BA 521 328 000	BELT XPB 2800	2
40	BS 511 001 250	BOLT M12X100 DIN 931	4
41	BS 032 012 356	WASHER M35X12.5X3	2
42	BS 032 012 410	WASHER M40X13X5	4
43	BR 601 130 155	ANTIVIBRATION BLOCKS 12/32X59	4
44	BS 512 000 830	BOLT M8X30 DIN 933	6
45	BS 531 001 200	WASHER M12 DIN 125	6
46	BS 502 001 200	SELF LOCKING NUT M12 DIN 985	4
47	MPA 01 261 590	ENGINE CRADLE	1
48	BS 502 000 800	SELF LOCKING NUT M8 DIN 985	6
49	BR 200 226 571	FLEXIBLE HOSE 26-571MM	1
50	MPA 01 261 690	CLUTCH FLANGE	1
51	MPA 01 261 600	SUPPORT BRACKET HYDRO-PUMP	1
52	BR 600 130 301	ANTIVIBRATION BLOCKS 30X30B M8X16	4
53	BS 512 000 820	BOLT M8X20 DIN 933	10
54	BS 512 000 812	BOLT M8X12 DIN 933	4
55	BS 521 100 820	SCREW M8X20 DIN 912	4
56	BA 201 240 000	ELASTIC COUPLING RUBBER FLECTOR	1
57	BA 201 220 300	ELASTIC COUPLING PUMP SIDE	1
58	MPA 01 260 660	BRACKET FOR RADIATOR	2
59	BR 600 130 201	ANTIVIBRATION BLOCKS 30X20B M8X20	2
60	MPA 01 260 300	RADIATOR SUPPORT	2



ELIET MEGA-PROF -- HYDRAULICS				
NO	MMA-01.260.180	REV	1	DATE 2006/07/10

ELIET SPARE PARTS MANUAL

MEGA PROF

ASSEMBLYLIST 8

HYDRAULICS

MMA 01 260 180-1

ITEM	PART NUMBER	DESCRIPTION	QUANTITY
1	BH 331 412 500	HYDRAULIC ENGINE 125 CD	3
2	BH 513 111 004	BANJO 10LX1/4	8
3	MPA 01 261 340	HYDRAULIC PIPE (STEEL)	1
4	MPA 01 261 310	HYDRAULIC PIPE (STEEL)	1
5	MPA 01 261 320	HYDRAULIC PIPE (STEEL)	1
6	MPA 01 261 330	HYDRAULIC PIPE (STEEL)	1
7	BH 514 100 804	REDUCTION STUD (M/F) 1/2-1/4	10
8	MPA 01 261 350	HYDRAULIC PIPE (STEEL)	1
9	MPA 01 261 360	HYDRAULIC PIPE (STEEL)	1
10	BS 511 000 644	BOLT M6X60 DIN 931	1
11	BS 533 000 600	LOCK WASHER M6 DIN 127B	5
12	BH 710 003 010	CLAMP BASE 10MM	6
13	BH 711 020 010	PIPE CLAMP 10MM	26
14	MPA 01 261 240	HYDRAULIC PIPE (STEEL)	1
15	MPA 01 261 230	HYDRAULIC PIPE (STEEL)	1
16	MPA 01 261 210	HYDRAULIC PIPE (STEEL)	1
17	MPA 01 261 200	HYDRAULIC PIPE (STEEL)	1
18	BH 551 050 850	FLEXIBLE HYDRAULIC LINE 850	2
19	BH 551 050 820	FLEXIBLE HYDRAULIC LINE 820	1
20	BH 551 050 780	FLEXIBLE HYDRAULIC LINE 780	1
21	BH 711 620 150	PIPE CLAMP 16MM	8
22	BH 710 003 020	CLAMP BASE 16MM	4
23	BS 533 000 800	LOCK WASHER M8 DIN 127B	6
24	BS 511 000 841	BOLT M8X45 DIN 931	7
25	BH 331 425 000	HYDRAULIC ENGINE 250 CD	1
26	BH 331 410 000	HYDRAULIC ENGINE 100 CD	1
27	BH 509 211 004	MALE STUD COUPLING 10LX1/4	5
28	BH 562 104 000	QUICK RELEASE 1/4" FEMALE	2
29	BH 561 104 000	QUICK RELEASE 1/4" MALE	2
30	BH 551 050 500	FLEXIBLE HYDRAULIC LINE 500	2
31	MPA 01 261 370	HYDRAULIC PIPE (STEEL)	1
32	MPA 01 261 380	HYDRAULIC PIPE (STEEL)	1
33	BS 511 000 649	BOLT M6X90 DIN 931	3
34	BH 563 000 100	MANOMETER COUPLER 10LXM16X2	1
35	BH 549 811 010	STRAIGHT COUPLING	1
36	BH 509 411 006	STUD ELBOWS	5
37	MPA 01 261 400	HYDRAULIC PIPE (STEEL)	1
38	BH 510 041 600	EQUAL TEE	1

ELIET SPARE PARTS MANUAL

MEGA PROF

ASSEMBLYLIST 8

HYDRAULICS

MMA 01 260 180-1

ITEM	PART NUMBER	DESCRIPTION	QUANTITY
39	BH 511 941 600	ROTARY ELBOW FEMALE	2
40	BH 513 241 610	STANDPIPE/TUBE REDUCER	1
41	MPA 01 261 290	HYDRAULIC PIPE (STEEL)	1
42	MPA 01 261 270	HYDRAULIC PIPE (STEEL)	1
43	BH 512 111 000	ROTARY L-FITTING FEMALE	5
44	BH 512 611 004	REDUCER COUPLING 10X1/4	1
45	BH 511 911 000	ORIENTABLE ELBOW FEMALE 10L	3
46	MPA 01 261 220	HYDRAULIC PIPE (STEEL)	1
47	BS 502 000 600	SELF LOCKING NUT M6 DIN 985	7
48	BS 531 000 600	WASHER M6 DIN 125	13
49	BH 509 221 022	MALE STUD COUPLING	3
50	BS 512 000 635	BOLT M6X35 DIN 933	3
51	BH 430 012 200	SPEED CONTROLLER	1
52	BH 410 001 000	SOLENOID VALVE	1
53	MPA 01 261 280	HYDRAULIC PIPE (STEEL)	1
54	BS 512 000 825	BOLT M8X25 DIN 933	3
55	BH 509 241 606	MALE STUD COUPLING	1
56	BH 409 002 002	CONTROL LEVER HYDRO-VALVE	1
57	BS 532 008 204	WASHER M8X20X2	1
58	MPA 01 260 910	SHIFT POSITION GRID	1
59	BS 501 000 800	NUT M8 DIN 934	2
60	MPA 01 260 450	POSITION SELECTOR	1
61	BS 501 901 200	NUT M12 DIN 439	1
62	BS 512 000 808	BOLT M8X8 DIN 933	2
63	BS 531 000 800	WASHER M8 DIN 125	14
64	MPA 01 261 130	BENDED BOLT M6X55 DIN 931	1
65	BS 051 601 222	SCREW WITH LOCKBULLET	1
66	BH 400 211 310	HYDRAULIC VALVE 3 DRAWERS	1
67	BH 509 211 006	MALE STUD COUPLING 10LX3/8	8
68	BV 000 112 035	SPRING 1X12X35	1
69	BS 532 006 183	WASHER M6X18X1.5	1
70	BH 518 500 600	BLANKING PLUG TD 185 GG 3/8"	3
71	BS 502 000 800	SELF LOCKING NUT M8 DIN 985	3
72	MPA 01 261 260	HYDRAULIC PIPE (STEEL)	1
73	MPA 01 261 250	HYDRAULIC PIPE (STEEL)	1
74	BH 430 110 400	FLOW CONTROL VALVE	1
75	MPA 01 261 300	HYDRAULIC PIPE (STEEL)	1
76	MPA 01 261 430	HYDRAULIC PIPE (STEEL)	1

ELIET SPARE PARTS MANUAL

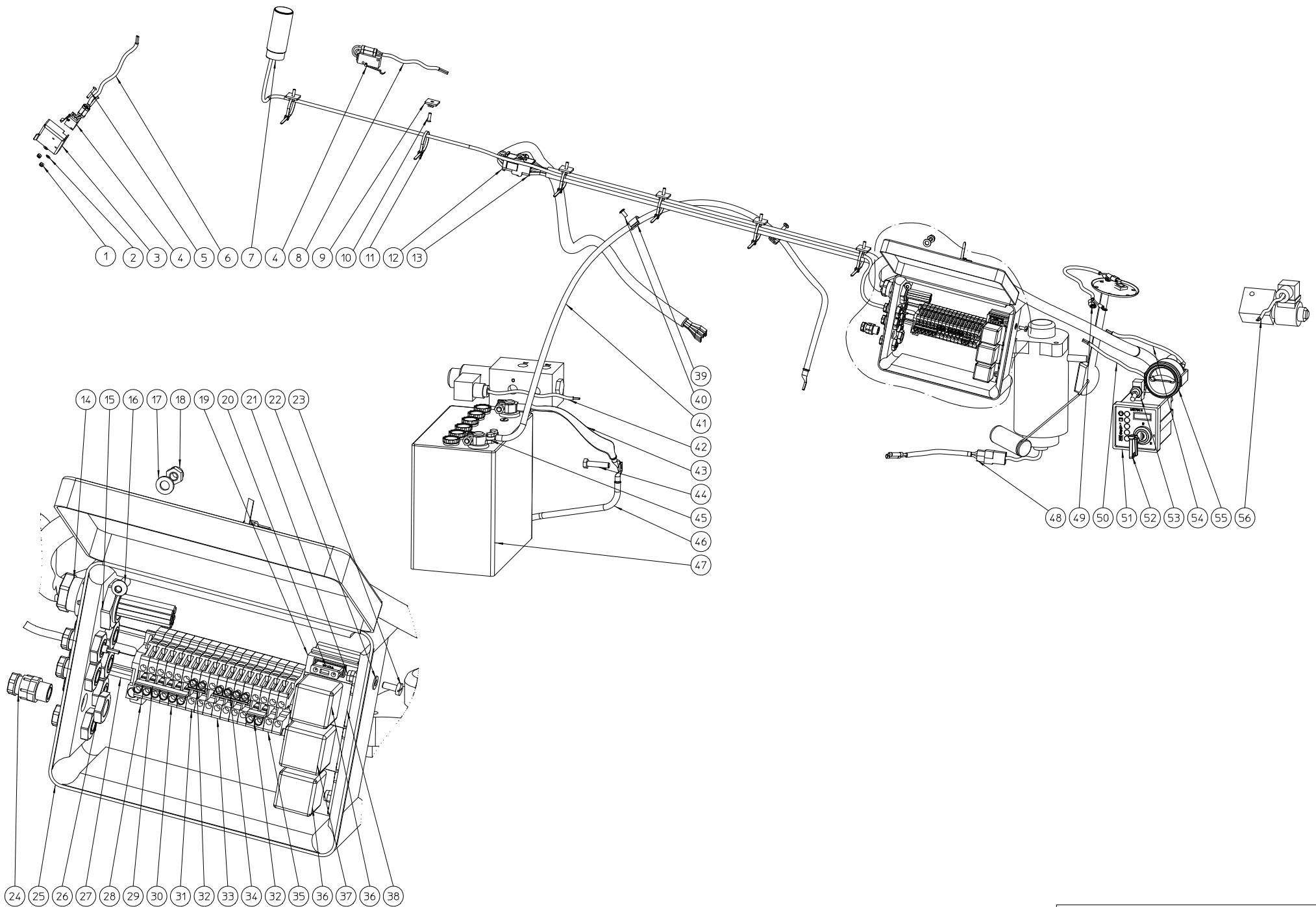
MEGA PROF

ASSEMBLYLIST 8

HYDRAULICS

MMA 01 260 180-1

ITEM	PART NUMBER	DESCRIPTION	QUANTITY
77	BH 410 002 000	SOLENOID VALVE 3/8" 12V DC	1
78	BS 512 000 820	BOLT M8X20 DIN 933	4
79	MPA 01 261 420	HYDRAULIC PIPE (STEEL)	1
80	BH 551 051 050	FLEXIBLE HYDRAULIC LINE 1050	1
81	BT 174 130 808	ELBOW MALE/FEMALE 1/2"X1/2"	1
82	BT 136 260 820	INSERT CONNECTOR FOR HOSE 20X1/2	2
83	BT 670 117 290	HOSE CLAMP 17X29MM	2
84	BR 200 219 045	SUCTION HOSE	1
85	BH 509 241 608	MALE STUD COUPLING	1
86	MPA 01 261 410	HYDRAULIC PIPE (STEEL)	1
87	BH 280 212 000	OIL FILTER (RETURN)	1
88	BH 280 312 121	OIL FILTER BASE (RETURN)	1
89	BT 174 190 808	ELBOW 90° MALE/FEMALE 1/2"X1/2"	1
90	BH 210 204 501	HYDRAULIC PUMP 4,5 CC	1
91	BH 802 015 250	O-RING Ø25	2
92	BH 281 001 200	ELBOW COUPLING 30MM 1/2	1
93	BS 533 000 500	LOCK WASHER M5 DIN 127B	6
94	BS 521 100 520	BOLT M5X20 DIN 912	6
95	BS 512 000 630	BOLT M6X30 DIN 933	4
96	BB 321 020 512	KEY 2X5X12.65	1
97	BS 533 367 110	SAFETY WASHER	1
98	BS 501 000 700	NUT M7 DIN 934	1
99	BH 281 001 100	ELBOW COUPLING 30MM 3/8	1
100	BH 509 241 612	MALE STUD COUPLING	2
101	MPA 01 261 390	HYDRAULIC PIPE (STEEL)	1



ELIET MEGA-PROF -- ELECTRICS				
NO	MMA-01.260.190	REV	1	DATE 2006/07/10

ELIET SPARE PARTS MANUAL

MEGA PROF

ASSEMBLYLIST 9

ELECTRICS

MMA 01 260 190-1

ITEM	PART NUMBER	DESCRIPTION	QUANTITY
1	BS 502 000 300	SELF LOCKING NUT M3 DIN 985	2
2	BS 531 000 300	WASHER M3 DIN 125	2
3	MPA 01 261 020	COVERPLATE SWITCH	1
4	BE 120 010 500	SAFETY SWITCH	2
5	BS 522 100 320	SCREW M3X20 DIN 7991	2
6	BE 092 022 301	WIRING SWITCH AUGER 2300MM	1
7	BE 400 010 000	ABM SENSOR	1
8	BE 092 021 501	WIRING SWITCH COLLECTOR 1500MM	1
9	BE 043 090 003	BASE FOR TIEWRAP	7
10	BB 222 104 120	POP PLUG ALU 3.9X12	7
11	BE 043 010 140	WRAP TIE 140X3.5	7
12	BM 270 825 447	ELECTRIC CONNECTOR VANGUARD 3LC 950D	1
13	BE 099 002 601	ELECTRIC CONNECTOR MEGA PROF	1
14	BE 071 071 600	CABLE BOX ENTRY PG16	1
15	BE 071 081 600	LOCKNUT PG16	1
16	BS 522 500 616	SCREW M6X16 ISO 7380	2
17	BS 531 000 600	WASHER M6 DIN 125	2
18	BS 502 000 600	SELF LOCKING NUT M6 DIN 985	2
19	BE 160 010 000	FUSE BODY	1
20	BE 100 701 000	FUSE 10A	1
21	BS 502 000 400	SELF LOCKING NUT M4 DIN 985	2
22	BS 531 000 400	WASHER M4 DIN 125	2
23	BS 541 000 410	SCREW M4X10 DIN 84	2
24	BE 071 070 700	CABLE BOX ENTRY PG7	7
25	BE 141 814 090	ELECTRIC BOX IP55	2
26	BE 071 080 700	LOCKNUT PG7	7
27	BC 150 350 101	OMEGA RAIL 170MM	1
28	BE 033 003 001	LOCKUNIT	2
29	BE 033 003 126	CONNECTING PLATE (6 CONNECTIONS)	1
30	BE 033 003 022	BLACK CONNECTING CLAMP	6
31	BE 033 003 024	ORANGE CONNECTING CLAMP	2
32	BE 033 003 122	CONNECTING PLATE (2 CONNECTIONS)	2
33	BE 033 003 023	BLUE CONNECTING CLAMP	5
34	BE 033 003 124	CONNECTING PLATE (4 CONNECTIONS)	1
35	BE 033 003 021	GREY CONNECTING CLAMP	4
36	BE 160 013 000	REVERSING RELAY 12V	2
37	BE 160 012 000	RELAY 12V	1
38	BE 160 011 000	RELAY BODY (9 POLES)	3

ELIET SPARE PARTS MANUAL

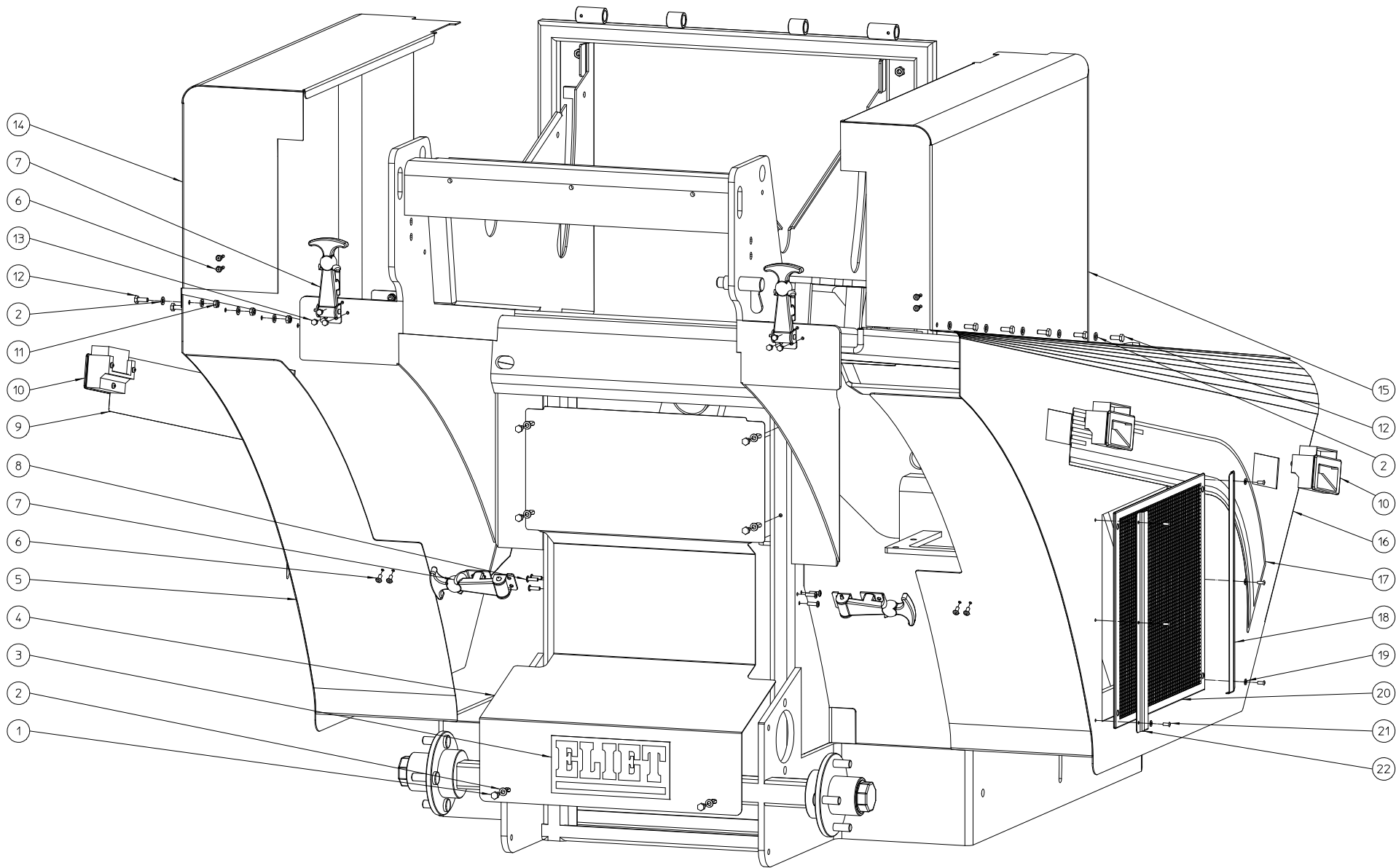
MEGA PROF

ASSEMBLYLIST 9

ELECTRICS

MMA 01 260 190-1

ITEM	PART NUMBER	DESCRIPTION	QUANTITY
39	BT 685 006 120	WIRE CLAMP	2
40	BB 221 005 100	POP PLUG STEEL 4.8X10	2
41	BE 090 291 101	RED WIRE 25MM ² - 1100MM	1
42	BE 092 021 901	WIRE SOLENOID WHEELER 1900MM	1
43	BE 090 190 381	GROUND WIRE	1
44	BS 512 000 835	BOLT M8X35 DIN 933	1
45	BE 031 013 498	BATTERY CLAMP (POSITIVE)	1
46	BE 090 190 301	BLACK WIRE 25MM ² - 300MM	1
47	BE 240 120 450	BATTERY 12V 45AH	1
48	BE 099 002 602	ELECTRIC CONNECTOR DIESEL FILTER	1
49	BE 092 020 701	WIRE FUELLEVEL SENDER 700MM	1
50	BE 092 021 101	WIRE SWITCH DIFFERENTIAL 1100MM	1
51	BM 270 000 010	ELECTRIC CONTROL PANEL	1
52	BM 270 000 011	IGNITION KEY	1
53	BE 120 020 636	SWITCH	1
54	BE 092 021 102	WIRE DIESEL DISPLAY 1100MM	1
55	BY 716 110 002	FUEL LEVEL DISPLAY	1
56	BE 092 021 601	WIRE SOLENOID ABM 1600MM	1



ELIET MEGA-PROF -- SIDE COVERS				
NO	MMA-01.260.200	REV	1	DATE 2006/07/10

ELIET SPARE PARTS MANUAL

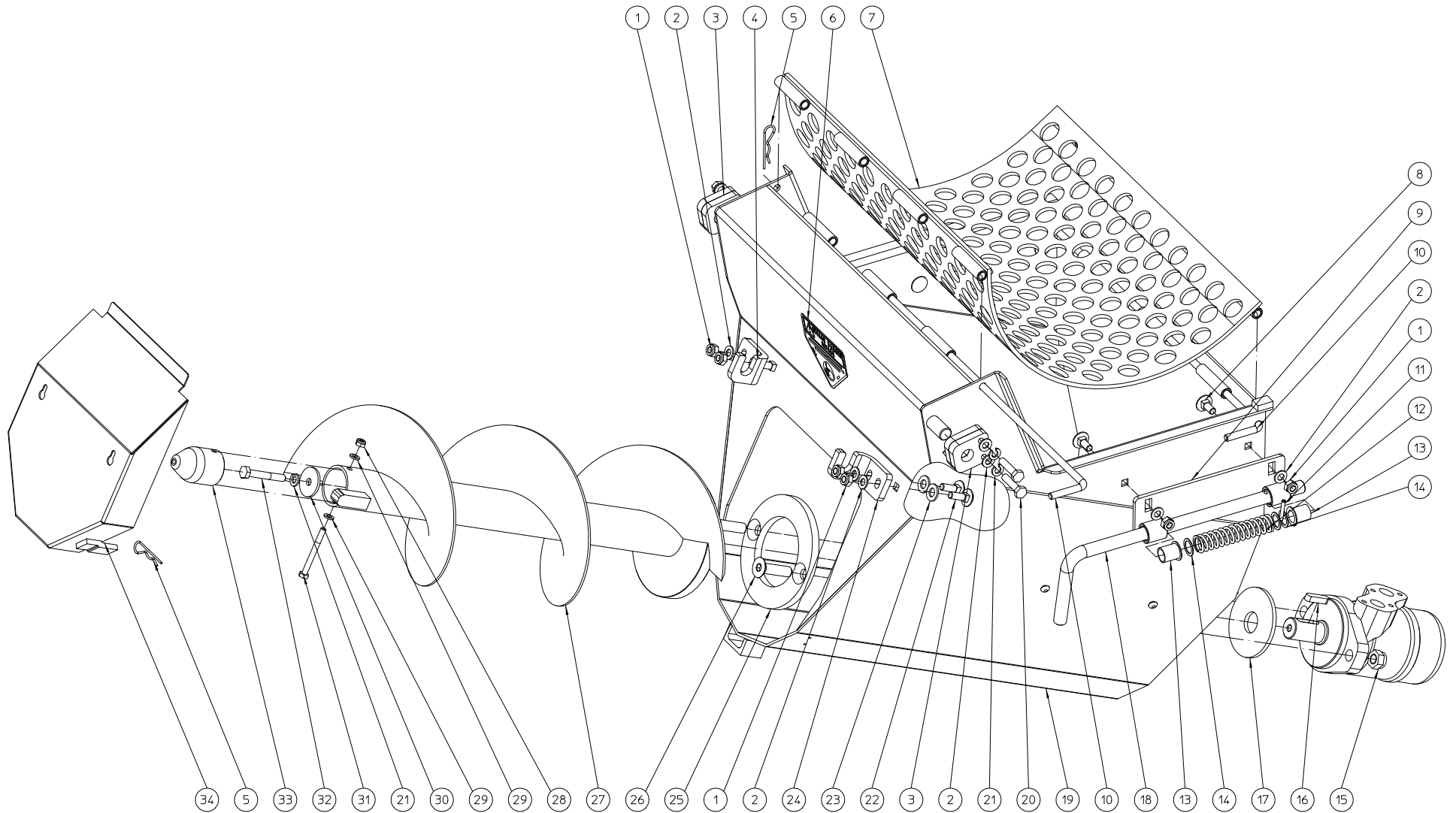
MEGA PROF

ASSEMBLYLIST 10

SIDE COVERS

MMA 01 260 200-1

ITEM	PART NUMBER	DESCRIPTION	QUANTITY
1	BS 512 000 612	BOLT M6X12 DIN 933	6
2	BS 531 000 600	WASHER M6 DIN 125	30
3	BQ 501 010 030	STICKER ELIET 200X90	1
4	MPA 01 260 800	COVER PLATE WHEELDRIVE	1
5	MPA 01 260 410	ORANGE COVER RIGHT SIDE	1
6	BB 221 105 100	POP PLUG ALU 4.8X10	8
7	BO 230 010 660	LATCH	4
8	BB 221 105 160	POP PLUG ALU 4.8X16	6
9	BQ 501 190 040	DECORATIVE STICKER RIGHT	1
10	BN 230 100 600	GRIP	4
11	BS 502 000 600	SELF LOCKING NUT M6 DIN 985	12
12	BS 512 000 616	BOLT M6X16 DIN 933	12
13	BS 512 000 508	BOLT M5X8 DIN 933	6
14	MPA 01 260 690	BLACK COVER RIGHT SIDE	1
15	MPA 01 260 680	BLACK COVER LEFT SIDE	1
16	MPA 01 260 400	ORANGE COVER LEFT SIDE	1
17	BQ 501 190 030	DECORATIVE STICKER LEFT	1
18	MPA 01 260 580	AIRSCREEN GUIDE RIGHT	1
19	BS 531 000 400	WASHER M4 DIN 125	6
20	BM 270 835 022	RADIATOR AIR INLET SCREEN	1
21	BB 221 104 100	POP PLUG ALU 3.9X10	6
22	MPA 01 260 570	AIRSCREEN GUIDE LEFT	1



ELIET MEGA-PROF -- COLLECTOR				
NO	MMA-01.260.210	REV	1	DATE 2006/07/10

ELIET SPARE PARTS MANUAL

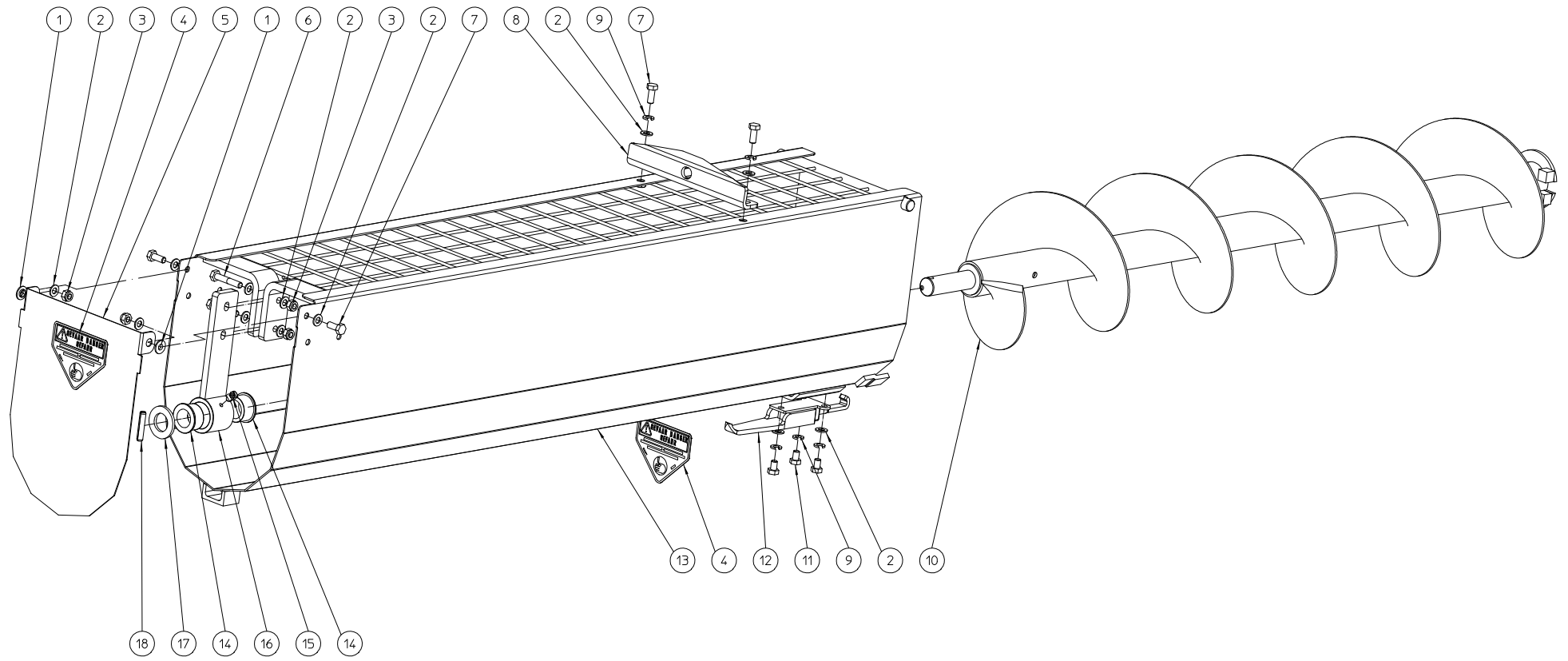
MEGA PROF

ASSEMBLYLIST 11

COLLECTOR

MMA 01 260 210-1

ITEM	PART NUMBER	DESCRIPTION	QUANTITY
1	BS 502 000 800	SELF LOCKING NUT M8 DIN 985	8
2	BS 531 000 800	WASHER M8 DIN 125	12
3	MPA 01 260 820	COLLECTOR SUPPORT	2
4	MPA 01 260 770	RIGHT BRACKET FOR AUGER	1
5	BB 040 102 040	HAIRPIN COTTER 2MM	3
6	BQ 505 010 070	SAFETY STICKER 100X80 (HANDCUTS)	1
7	MPA 01 260 090	SIEVE	1
8	BS 554 100 820	BOLT M8X20 DIN 603	4
9	MPA 01 260 360	BODY FOR LOCKING PIN	2
10	MPA 01 260 980	LOCKING ROD FOR SIEVE	2
11	BB 120 040 300	LOCKING PIN 4X30	2
12	BV 911 000 030	SPRING 22X3X143	1
13	BR 112 152 100	NYLON BUSHING WITH COLAR (15.4/18/23x21/1)	4
14	BS 036 001 510	PRECISION WASHER 21X15X1	6
15	BS 502 001 200	SELF LOCKING NUT M10 DIN 985	2
16	BB 351 080 732	KEY 8X7X32 DIN 6885A	1
17	BH 820 203 030	GASKET	1
18	MPA 01 260 940	LOCKING PIN	2
19	MPA 01 260 080	COLLECTOR	1
20	BS 512 000 835	BOLT M8X35 DIN 933	4
21	BS 533 000 800	LOCK WASHER M8 DIN 127B	5
22	BS 554 100 825	BOLT M8X25 DIN 603	4
23	BS 531 001 000	WASHER M10 DIN 125	4
24	MPA 01 260 760	LEFT BRACKET FOR AUGER	1
25	MPA 01 260 780	HYDRO ENGINE SUPPORT RING	1
26	BS 522 101 241	SCREW M12X45 DIN 7991	2
27	MPA 01 260 370	AUGER	1
28	BS 502 000 600	SELF LOCKING NUT M6 DIN 985	1
29	BS 531 000 600	WASHER M6 DIN 125	2
30	BS 532 008 356	WASHER M8X35X3	1
31	BS 511 000 644	BOLT M6X60 DIN 931	1
32	BS 511 000 843	BOLT M8X55 DIN 931	1
33	MPA 01 260 930	CENTRING CONE	1
34	MPA 01 260 830	SAFETY COVER	1



ELIET MEGA-PROF -- OUTPUT CHUTE 1500MM				
NO	MMA-01.260.220	REV	1	DATE 2006/07/10

ELIET SPARE PARTS MANUAL

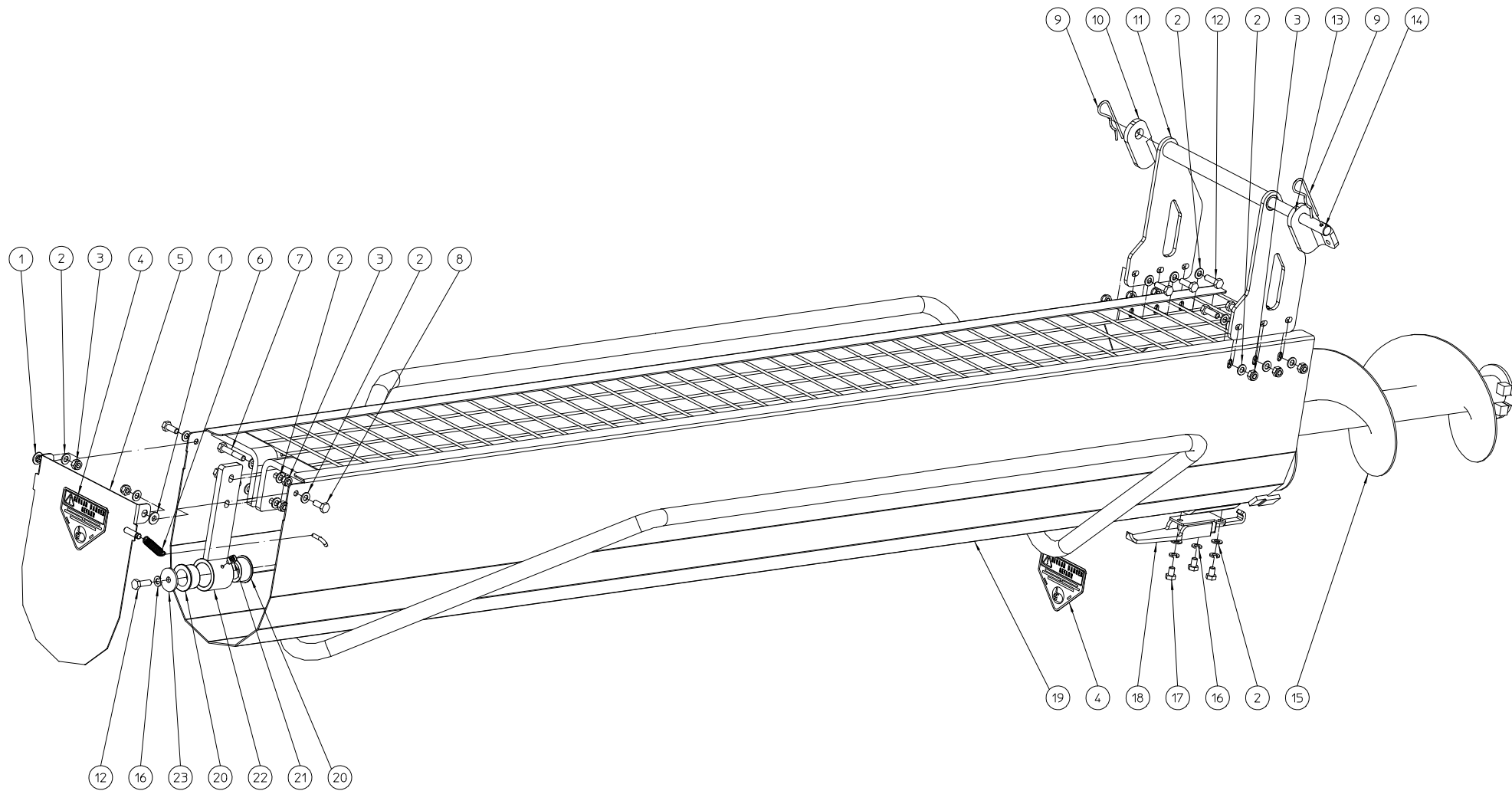
MEGA PROF

ASSEMBLYLIST 12

OUTPUT CHUTE 1500MM

MMA 01 260 220-1

ITEM	PART NUMBER	DESCRIPTION	QUANTITY
1	BR 112 080 300	NYLON BUSHING WITH COLAR (8.2/10.9/18x3.5/1.5)	2
2	BS 531 000 800	WASHER M8 DIN 125	13
3	BS 502 000 800	SELF LOCKING NUT M8 DIN 985	4
4	BQ 505 010 070	SAFETY STICKER 100X80 (HANDCUTS)	2
5	MPA 01 260 870	SAFETY FLAP	1
6	BS 511 000 841	BOLT M8X45 DIN 931	2
7	BS 512 000 820	BOLT M8X20 DIN 933	4
8	MPA 01 260 790	ATTACHMENT BRACKET	1
9	BS 533 000 800	LOCK WASHER M8 DIN 127B	5
10	MPA 01 260 380	AUGER	1
11	BS 512 000 812	BOLT M8X12 DIN 933	3
12	BO 160 020 350	LATCH HOOK	1
13	MPA 01 260 320	OUTPUT CHUTE	1
14	BR 112 262 110	NYLON BUSHING WITH COLAR (26/35.5/40x21/2)	2
15	BY 100 106 200	GREASE FITTING M6 45°	1
16	MPA 01 260 330	AUGER SUPPORT	1
17	BS 531 002 400	WASHER M24 DIN 125	1
18	BB 120 080 400	LOCKING PIN 8X40	1



ELIET MEGA-PROF -- OUTPUT CHUTE 2000MM					
NO	MMA-01.260.230	REV	1	DATE	2006/07/10

ELIET SPARE PARTS MANUAL

MEGA PROF

ASSEMBLYLIST 13

OUTPUT CHUTE 2000MM

MMA 01 260 230-1

ITEM	PART NUMBER	DESCRIPTION	QUANTITY
1	BR 112 080 300	NYLON BUSHING WITH COLAR (8.2/10.9/18x3.5/1.5)	2
2	BS 531 000 800	WASHER M8 DIN 125	23
3	BS 502 000 800	SELF LOCKING NUT M8 DIN 985	10
4	BQ 505 010 070	SAFETY STICKER 100X80 (HANDCUTS)	2
5	MPA 01 261 120	SAFETY FLAP (2M)	1
6	BV 011 010 006	SPRING	1
7	BS 511 000 841	BOLT M8X45 DIN 931	2
8	BS 512 000 820	BOLT M8X20 DIN 933	2
9	BB 040 103 060	HAIRPIN COTTER 3MM	2
10	MPA 01 260 900	RIGHT BRACKET FOR AUGER (2M)	1
11	MPA 01 260 350	HINGE	1
12	BS 512 000 825	BOLT M8X25 DIN 933	7
13	MPA 01 260 890	LEFT BRACKET FOR AUGER (2M)	1
14	MPA 01 261 100	ROD	1
15	MPA 01 260 390	AUGER (2M)	1
16	BS 533 000 800	LOCK WASHER M8 DIN 127B	4
17	BS 512 000 812	BOLT M8X12 DIN 933	3
18	BO 160 020 350	LATCH HOOK	1
19	MPA 01 260 340	OUTPUT CHUTE (2M)	1
20	BR 112 262 110	NYLON BUSHING WITH COLAR (26/35.5/40x21/2)	2
21	BY 100 106 200	GREASE FITTING M6 45°	1
22	MPA 01 260 330	AUGER SUPPORT	1
23	BS 532 008 356	WASHER M8X35X3	1

